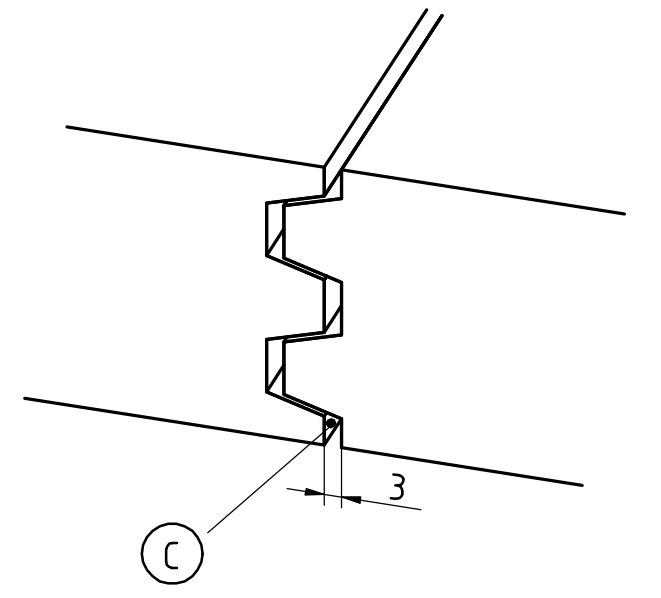
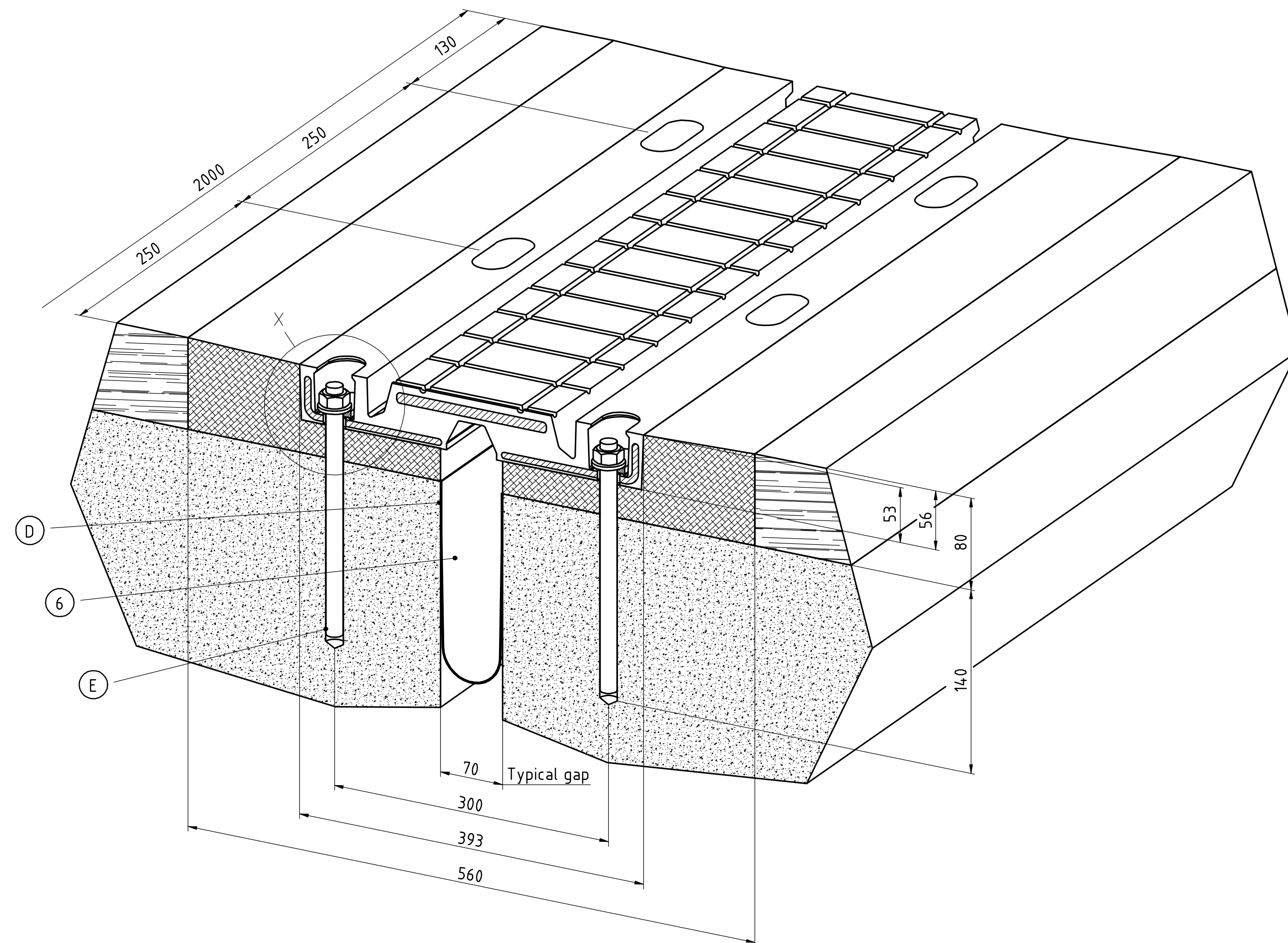
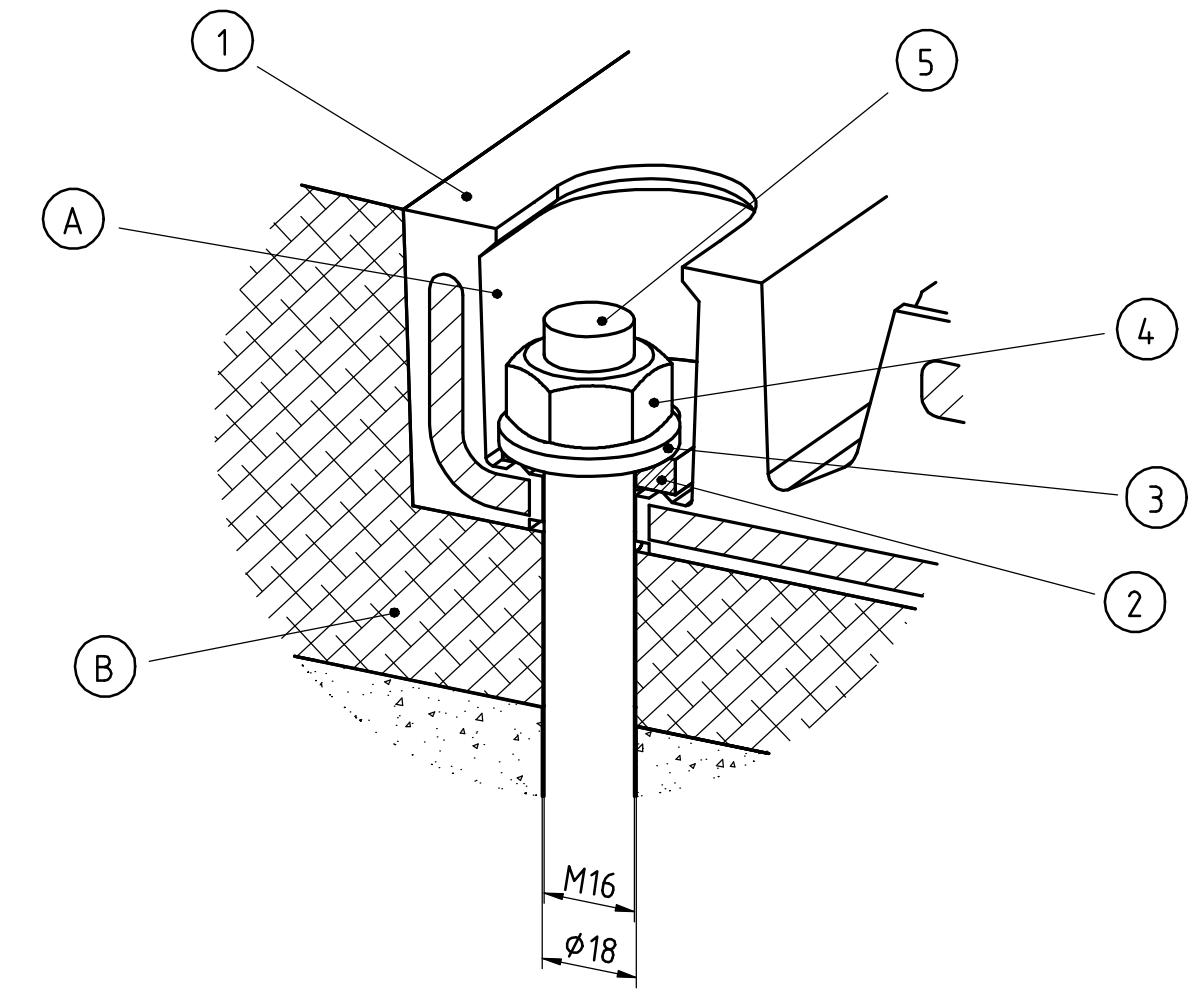


Connection detail



Anchor detail X



quantities are valid for 1m of joint

Pos.	Qty./m	Description	DIN / Dimensions	Material
E	132ml	Anchor resin	-	WIT-VM
D	1ml	Glue	-	Bond + Seal
C	53ml	Connection	-	Bond + Seal
B	-	Fibroreinforced reoplastic mortar	-	-
A	1037ml	Slot filler	-	Bond + Seal

Pos.	Qty./m	Description	DIN / Dimensions	Material
6	1	Waterproof membrane	t=1mm	EPDM
5	8	Anchor bolt	M16x200	4.6 - galvanized
4	8	Hexagon nut	ISO 4032 - M16	6 - galvanized
3	8	Conical washer	DIN 125 - 17	14.0HV - galvanized
2	8	Oblong washer	80x4.0x5	S235JR
1	1	VS-Flex 120	2000x393x53	SBR

joint movement	
longitudinal movement:	±60mm
transversal movement:	±60mm
vertical movement:	±10mm

Pos.	Qty.	Description of alteration	Date	Name

This drawing is own by Schreiber Brücken-Dehntechnik. Reproduction only with our agreement.