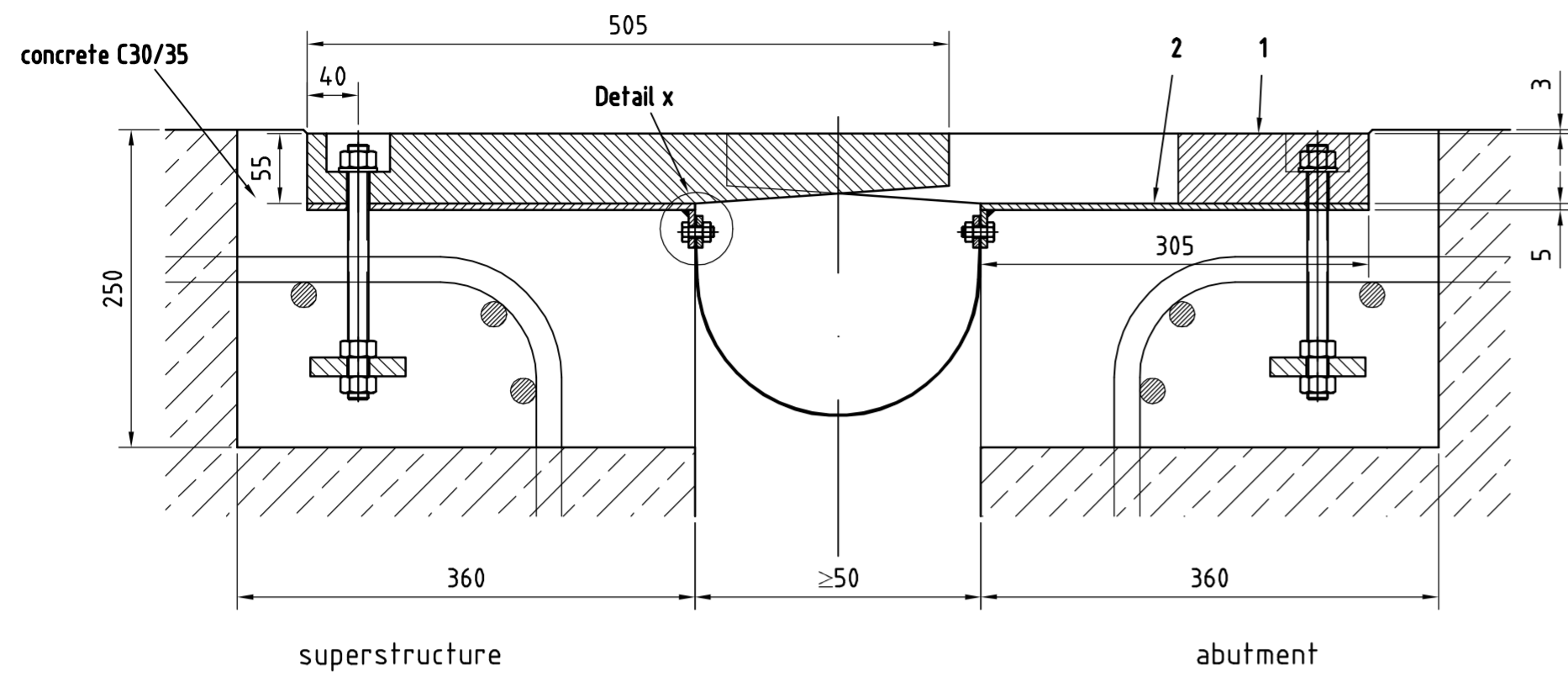
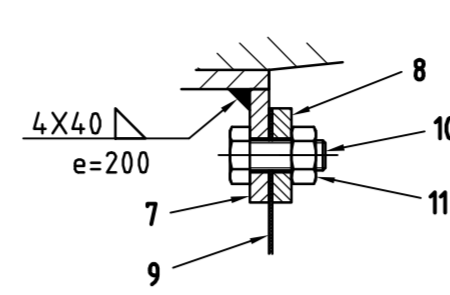


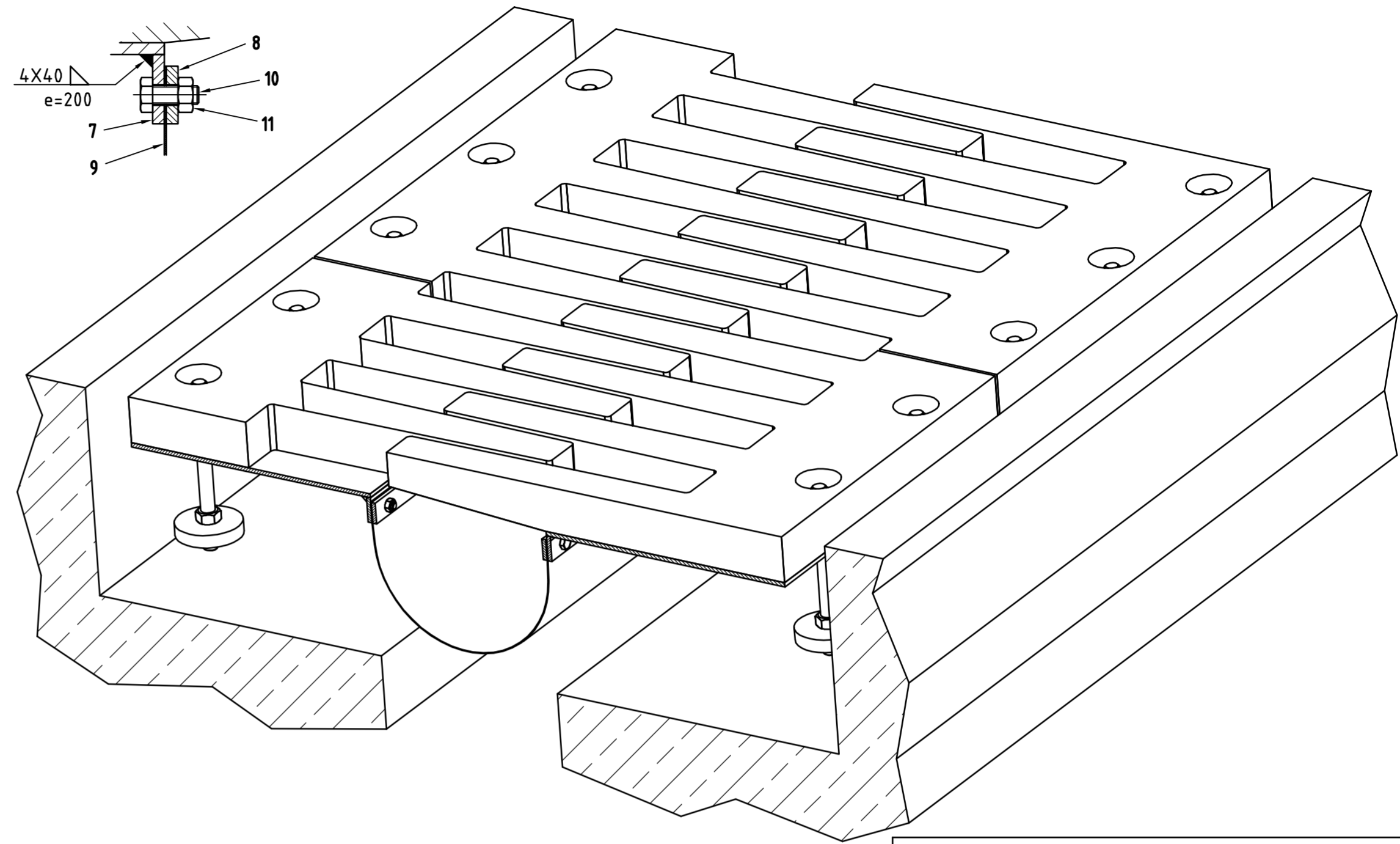
Cross section



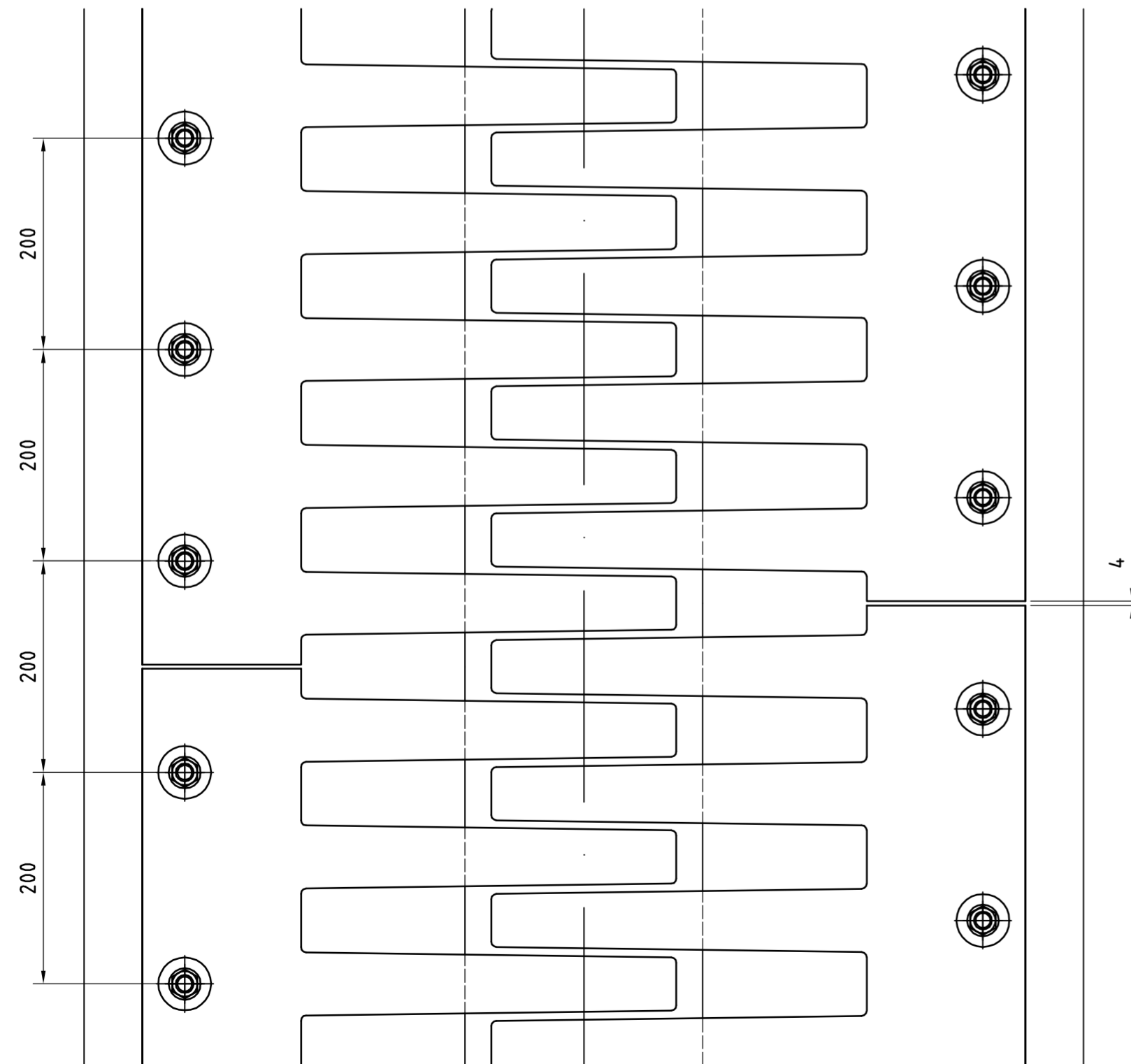
Detail x - M1:2



Isometric view



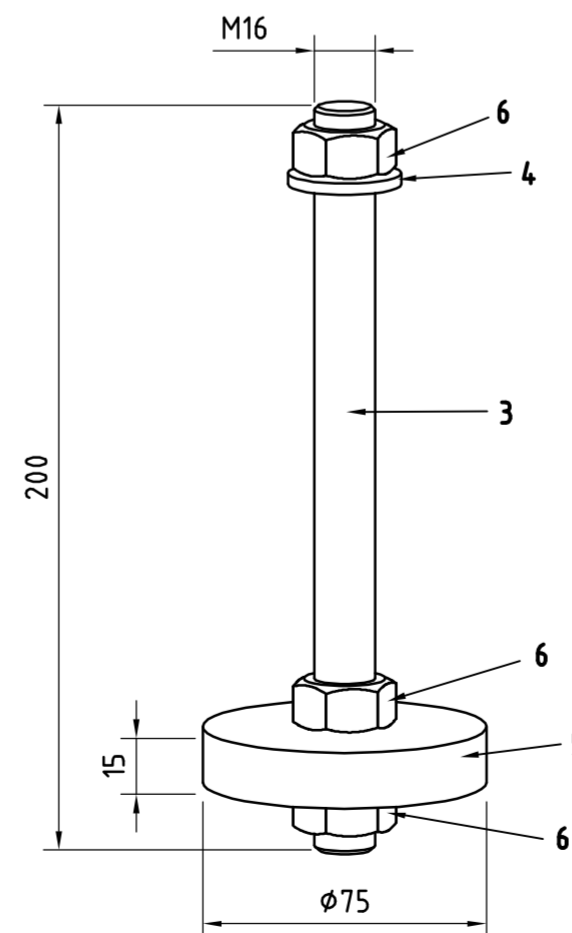
Top view



technical data			
expansion joint	movement (mm)		
	longitudinal	vertical	transversal
VS-F 350	±175	±5	±2

corrosion protection system	kind of coating	type	thickness [µm]
	surface preparation	sand blasting according to ISO 12944, part 4, standard degree of purity SA 2.5	
	layer and thickness	1 layer basic coating 2-pack highly pigmented zinc-rich primer of low solvent content, based on epoxy resin	80
		1 layer surface coating with 2-pack coat based on epoxy resin containing micaceous iron oxide	80

Anchor detail



waterproof system optional

Pos.	Qty.	Description	Dimensions	Material
11	8/m	hexagon nut	ISO 4032 - M8	A2
10	8/m	hexagon screw	ISO 4017 - M8x20	A2
9	1	waterproof membrane	t=1mm	EPDM
8	2	terminal block	25x5xl	A2
7	2	fixing plate	30x5xl	S235J2+N

6	30/m	hexagon nut	ISO 4032 - M16	6 - galvanized
5	10/m	anchor disk	ø75x15	S235J2+N
4	10/m	washer	ISO 7089 - ø17	140HV - galvanized
3	10/m	anchor bolt	M16x200	10.9 - galvanized
2	2	base plate	305x5xl	S235J2+N
1	2	finger-shaped plate	1196x505x55	S355J2+N

Pos.	Qty.	Description of alteration	Date	Name
			Description: Expansion joint VS-F 350 Drwg. No. VS-F-350 all dimensions in mm Scale 1:5 Date 24.07.2017 Drawn Aue	
			Date	Drawn