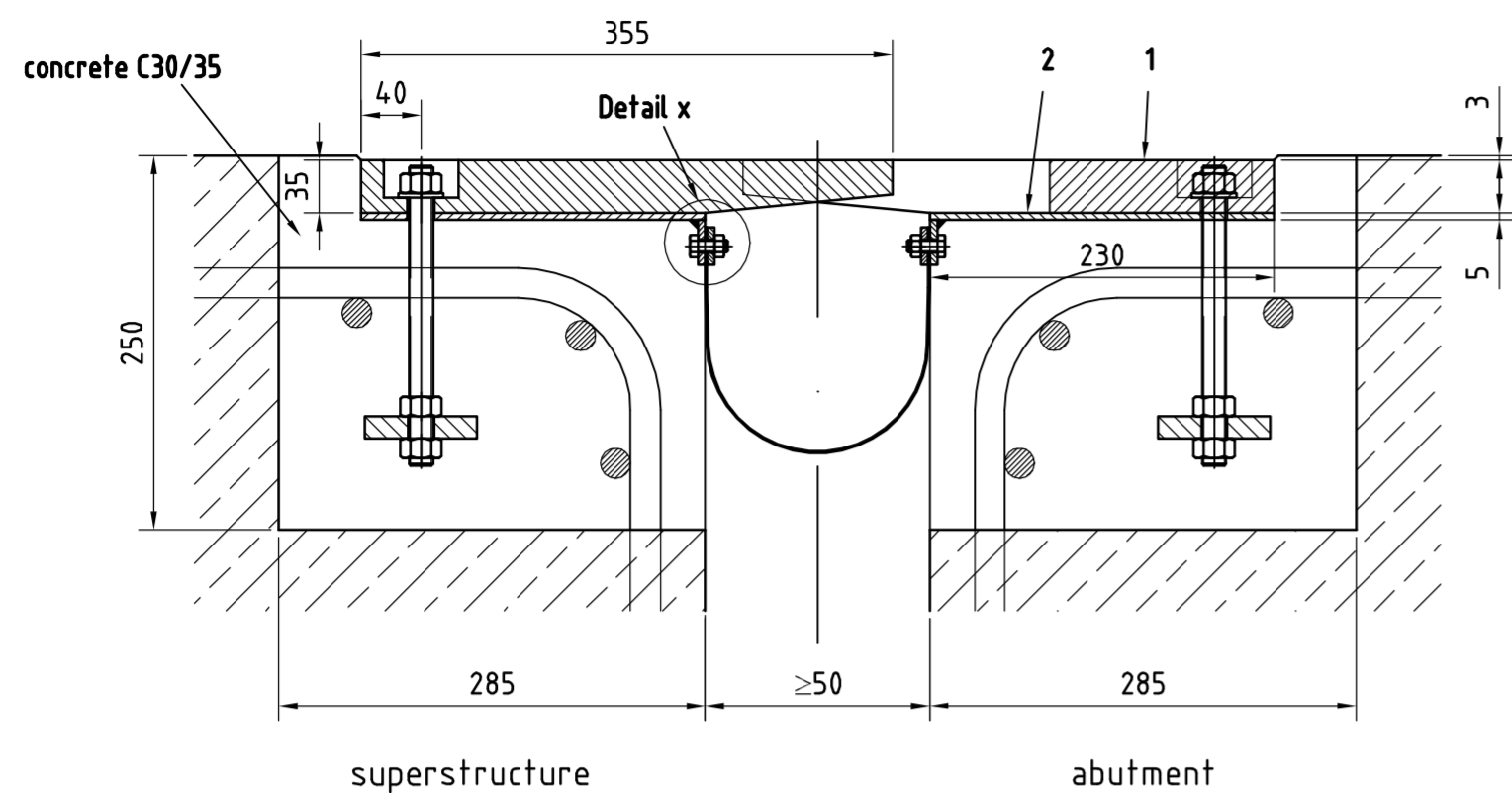
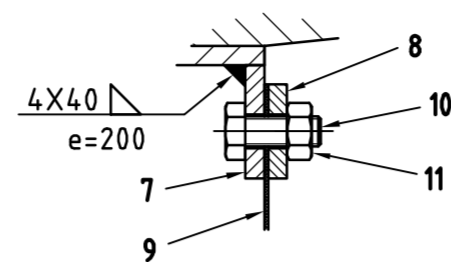


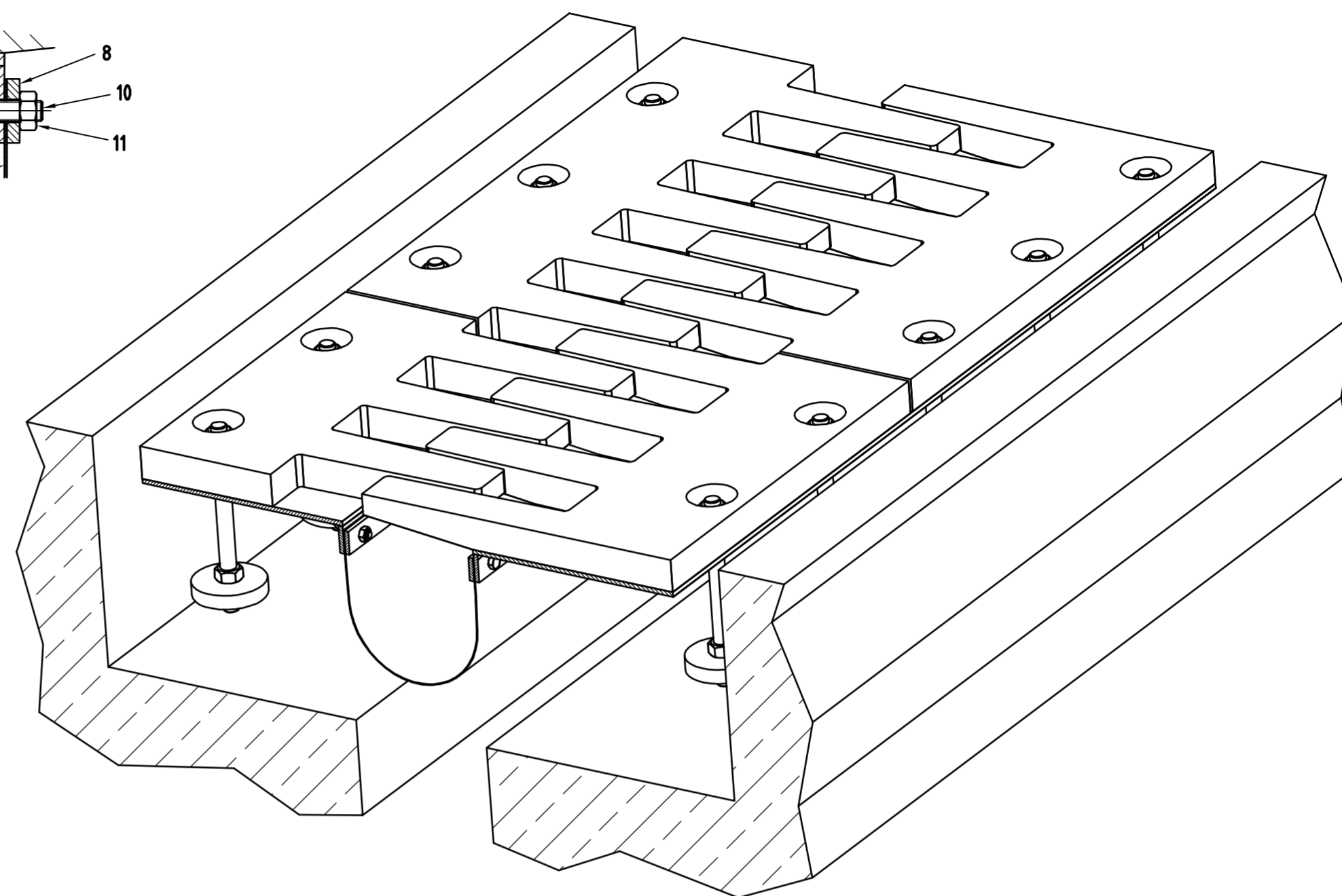
Cross section



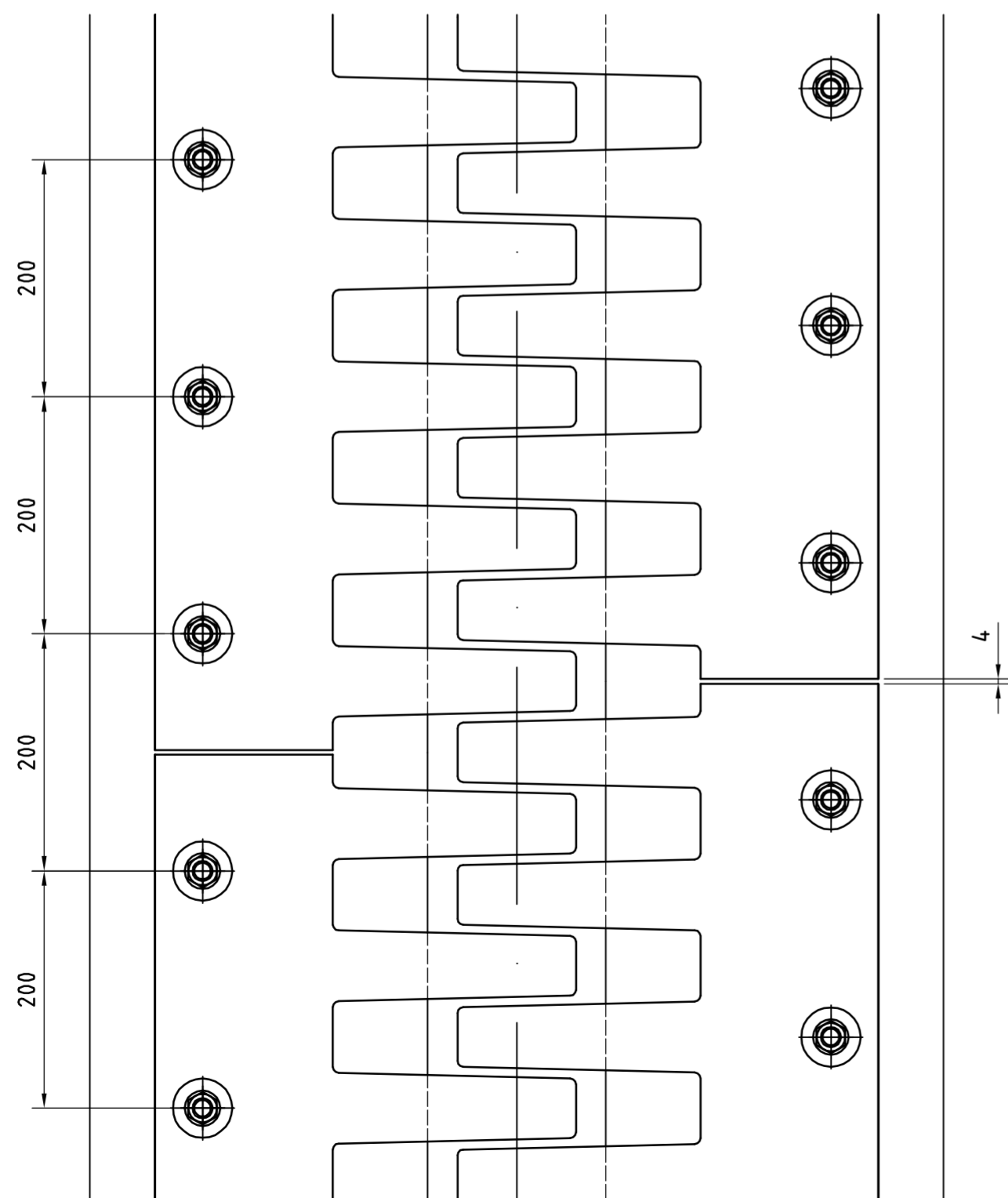
Detail x - M1:2



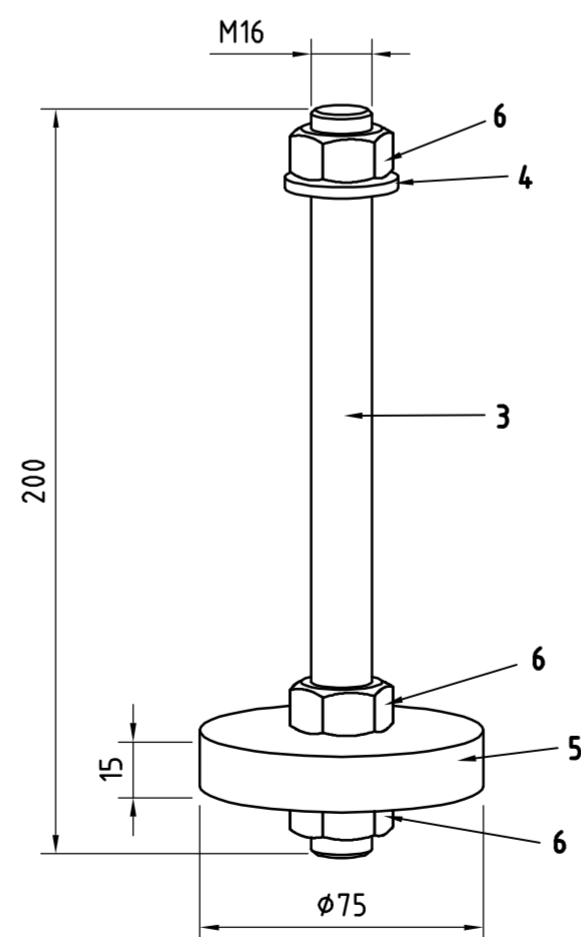
Isometric view



Top view



Anchor detail



technical data			
expansion joint	movement (mm)		
	longitudinal	vertical	transversal
VS-F 200	±100	±5	±2

corrosion protection system	kind of coating	type	thickness [µm]
	surface preparation	sand blasting according to ISO 12944, part 4, standard degree of purity SA 2.5	
layer and thickness	1 layer basic coating 2-pack highly pigmented zinc-rich primer of low solvent content, based on epoxy resin		80
	1 layer surface coating with 2-pack coat based on epoxy resin containing micaceous iron oxide		80

Pos.	Qty.	Description	Dimensions	Material	Material
11	8/m	hexagon nut	ISO 4032 - M8	A2	
10	8/m	hexagon screw	ISO 4017 - M8x20	A2	
9	1	waterproof membrane	t=1mm	EPDM	
8	2	terminal block	25x5xl	A2	
7	2	fixing plate	30x5xl	S235J2+N	

6	30/m	hexagon nut	ISO 4032 - M16	6 - galvanized	
5	10/m	anchor disk	ø75x15	S235J2+N	
4	10/m	washer	ISO 7089 - ø17	140HV - galvanized	
3	10/m	anchor bolt	M16x200	10.9 - galvanized	
2	2	base plate	230x5xl	S235J2+N	
1	2	finger-shaped plate	1196x355x35	S355J2+N	
Pos.	Qty.	Description	Dimensions	Material	

Pos.	Qty.	Description of alteration	Date	Name
			Description: Expansion joint VS-F 200 Drwg. No. VS-F-200 all dimensions in mm Scale 1:5 Date 20.07.2017 Drawn Aue	
			Date	Drawn

This drawing is own by Schreiber Brücken-Dehntechnik. Reproduction only with our agreement.