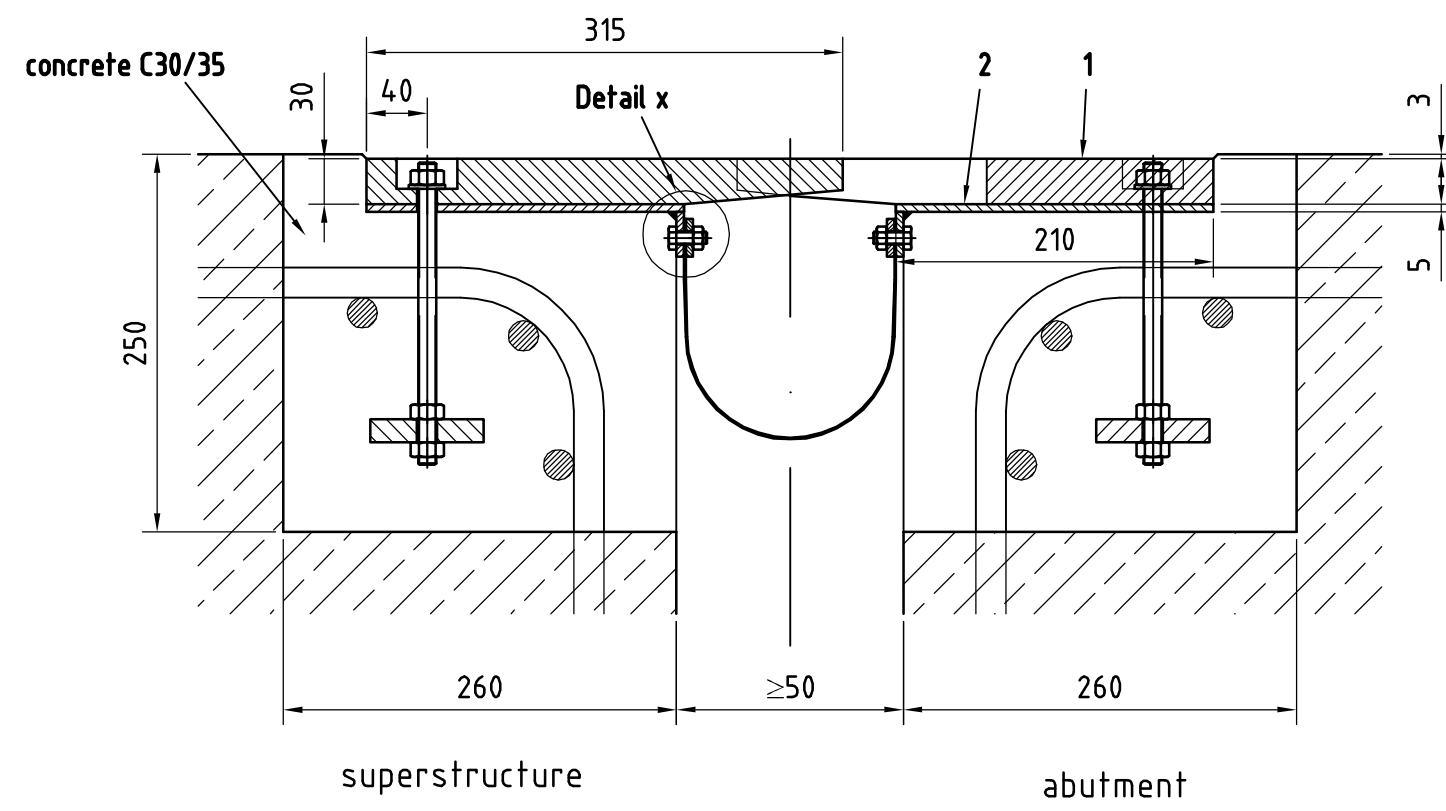
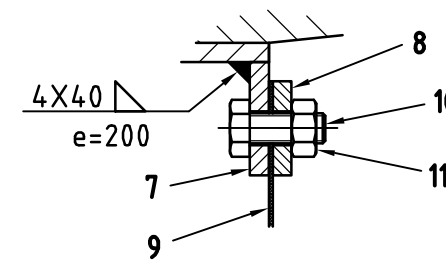


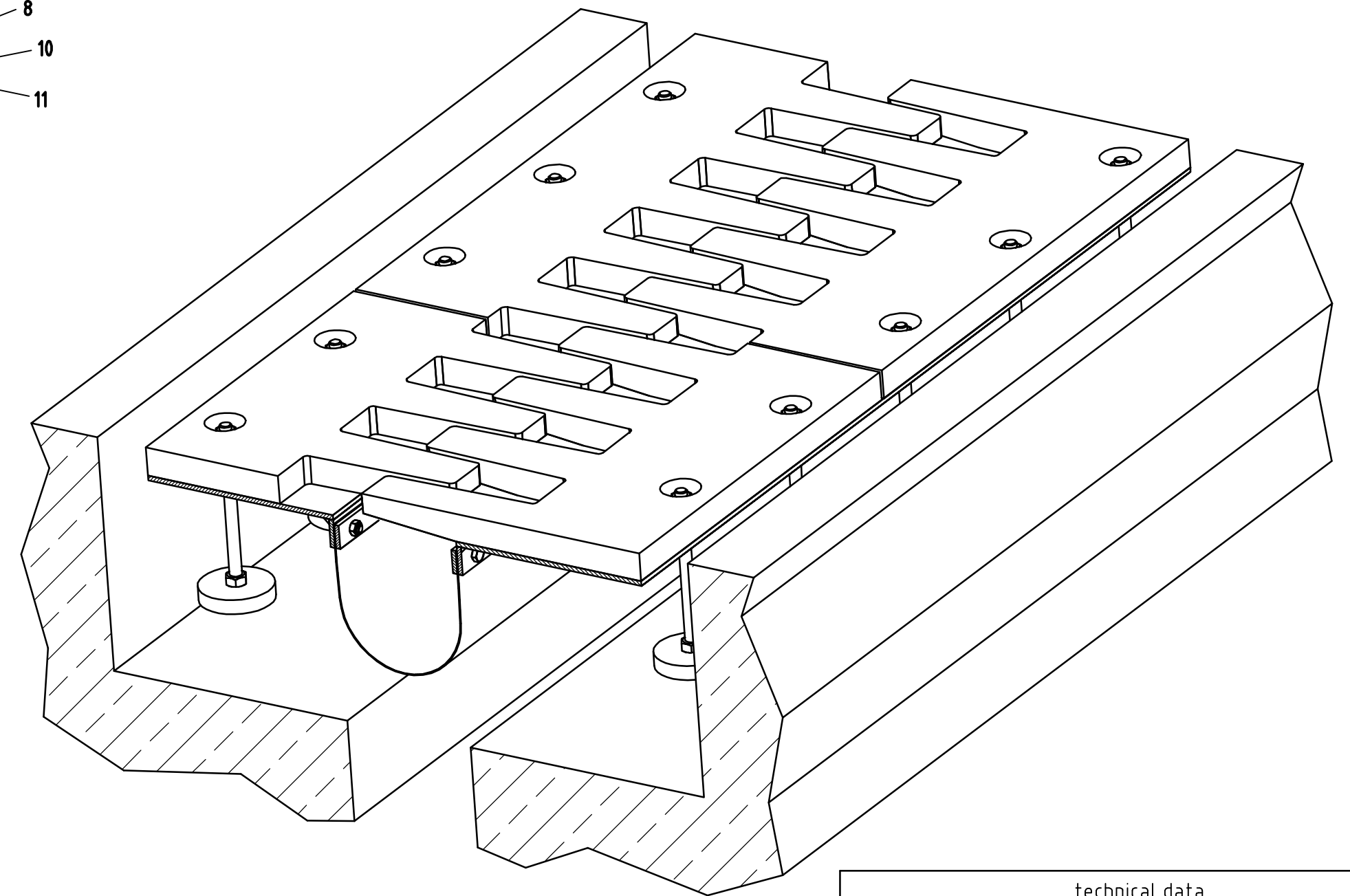
Cross section



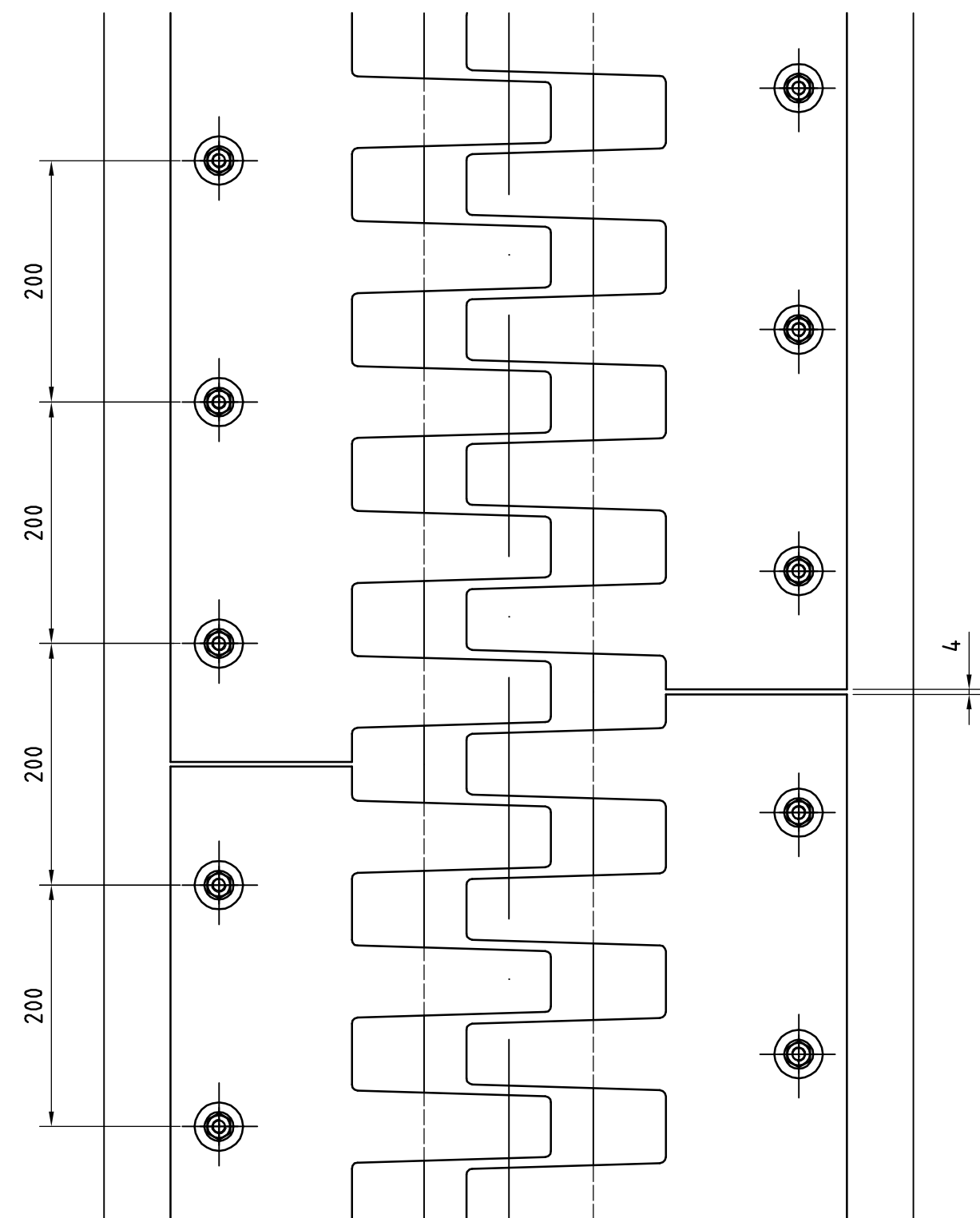
Detail x - M1:2



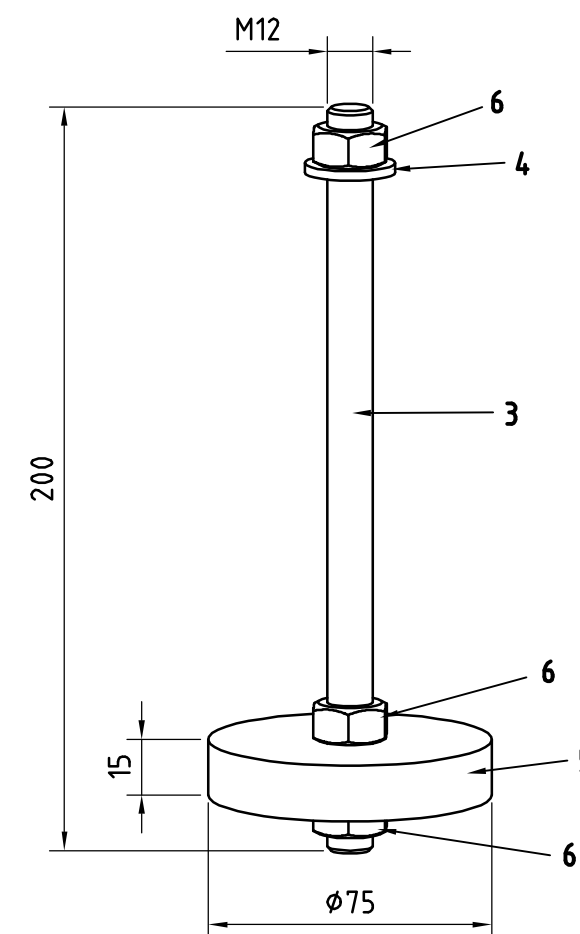
Isometric view



Top view



Anchor detail



technical data

expansion joint	movement (mm)		
	longitudinal	vertical	transversal
VS-F 160	±80	±5	±2

corrosion protection system	kind of coating	type	thickness [µm]
	surface preparation	sand blasting according to ISO 12944, part 4, standard degree of purity SA 2.5	
layer and thickness	1 layer basic coating 2-pack highly pigmented zinc-rich primer of low solvent content, based on epoxy resin		80
	1 layer surface coating with 2-pack coat based on epoxy resin containing micaceous iron oxide		80

waterproof system optional

Pos.	Qty.	Description	Dimensions	Material
11	8/m	hexagon nut	ISO 4032 - M8	A2
10	8/m	hexagon screw	ISO 4017 - M8x20	A2
9	1	waterproof membrane	t=1mm	EPDM
8	2	terminal block	25x5xl	A2
7	2	fixing plate	30x5xl	S235J2+N

Pos.	Qty.	Description	Dimensions	Material
6	30/m	hexagon nut	ISO 4032 - M12	6 - galvanized
5	10/m	anchor disk	ø75x15	S235J2+N
4	10/m	washer	ISO 7089 - ø13	140HV - galvanized
3	10/m	anchor bolt	M12x200	10.9 - galvanized
2	2	base plate	210x5xl	S235J2+N
1	2	finger-shaped plate	1196x315x30	S355J2+N

Pos.	Qty.	Description of alteration	Date	Name
			Description: Expansion joint VS-F 160 Drwg. No. VS-F-160 all dimensions in mm Scale 1:5 Date 19.07.2017 Drawn Aue	
			Date	Drawn

This drawing is own by Schreiber Brücken-Dehntechnik. Reproduction only with our agreement.